

STANLEY®



D-1610/D-1611 SERIES: DOOR CLOSERS

D-1610/D-1611 Series

Door Closers

dormakaba 

Trusted experts. Proven reliability. Simply STANLEY.

TABLE OF CONTENTS

General Information2, 3
 Standard Application4
 Parallel Arm Application.....5

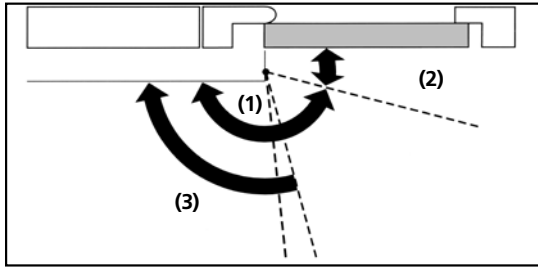
Top Jamb Application6
 Track Rail Arm Application.....7
 Accessories8

General Information

Introduction

The D-1610 Series is a slim line closer uniquely designed to accommodate the standard aluminum storefront application foot print. The pinion and piston are constructed of cold forged steel maintaining critical tolerances for reliable performance. The nonhanded cylinder body incorporates a robust cast aluminum construction.

Features – Controls the door through the entire opening and closing cycles by providing adjustable backcheck upon opening and adjusting general and latch speeds through the closing cycle.



- (1) closing speed range 180° - 10°
- (2) latching speed range 10° - 0°
- (3) backcheck action range 75° - 180°

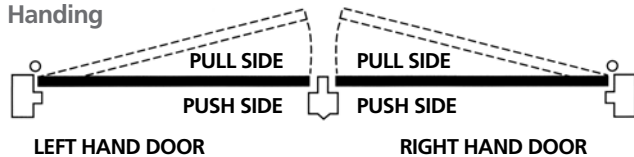
Non-Handed – Can be used on RH and LH doors for both push side and pull side mounting.

Non-Critical Regulation – The separate adjustments for backcheck, general and latch speeds are equipped with non-critical “V-Slot” regulating valves which allow for fine tuning the closing and latching speeds as well as the backcheck intensity.

Packing – All D-1610 Series Door Closers with standard arm sets are packed for mounting on standard, parallel arm or top jamb applications. All closer assemblies are packed 10 per carton. Tracks for track mounted closers are packed separately.

ANSI/BHMA Specifications – The D-1610 Series Door Closers has been Certified ANSI/BHMA A156.4 Grade 1, UL10C.

Handing



Adjustable Spring Power –

D-1610 series Door Closers are adjustable from size 2 – 5 (3lbf – 11lbf closing force measured at 30” from the door pivot) The D-1611 Series Door Closers are adjustable from size 1 – 4 (2lbf – 8lbf closing force measured 30” from the pivot). The D-1611 Series Door Closers are designed to meet entrance accessibility requirements of 5lbf opening force or less.



SPRING ADJUSTING NUT

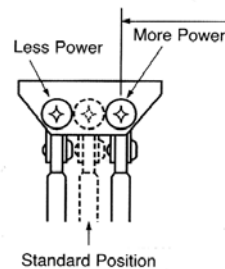
All Season Fluid – All season fluid eliminates the need for seasonal adjustment.

High Impact Cover (Optional) – Optional high impact self-extinguishing decorative cover is available on all Stanley D-1610 Series Closers.

Maintenance Free – Door Closers mounted in accordance with the provided installation instructions are maintenance free from periodic inspection and adjustment.

Through Bolts and Sex Nuts – When through bolting is ordered, factory will furnish sex nuts for use with the machine screws furnished with the closer. Nuts are sized to accommodate 1-3/8” or 1-3/4” thick doors.

Closing Power Adjustment – The D-1610 Series Door Closers have the provision to adjust the leverage of the arms by changing the pivot position of the arm in the foot; thus the closing force at the latch can be increased or decreased.

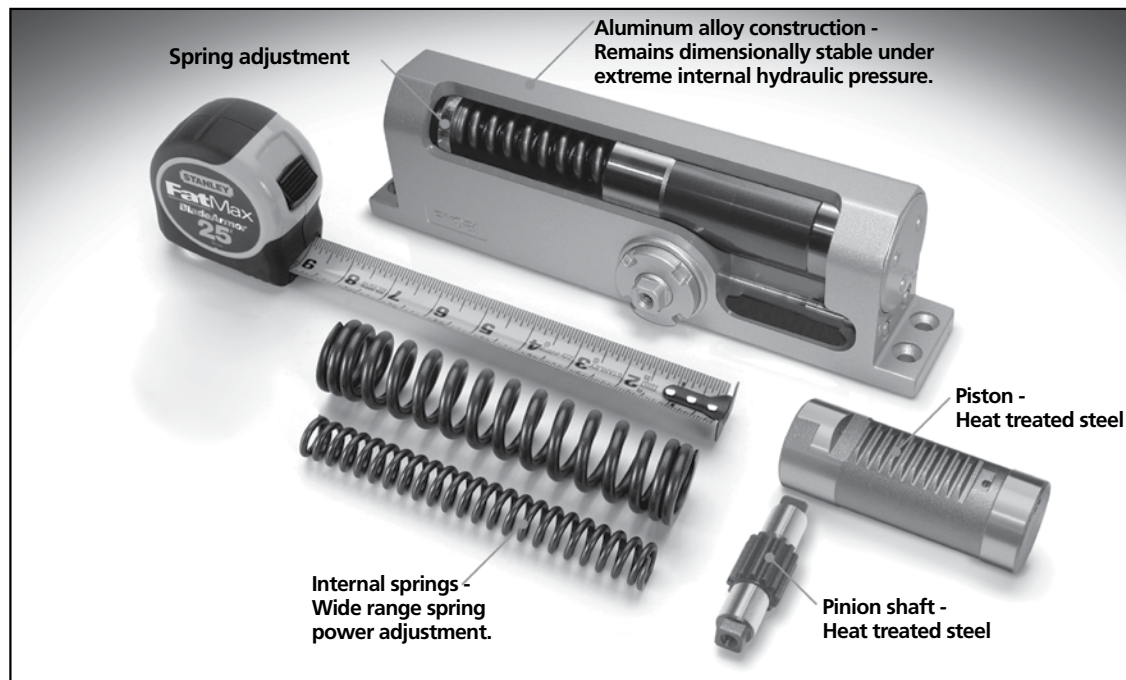
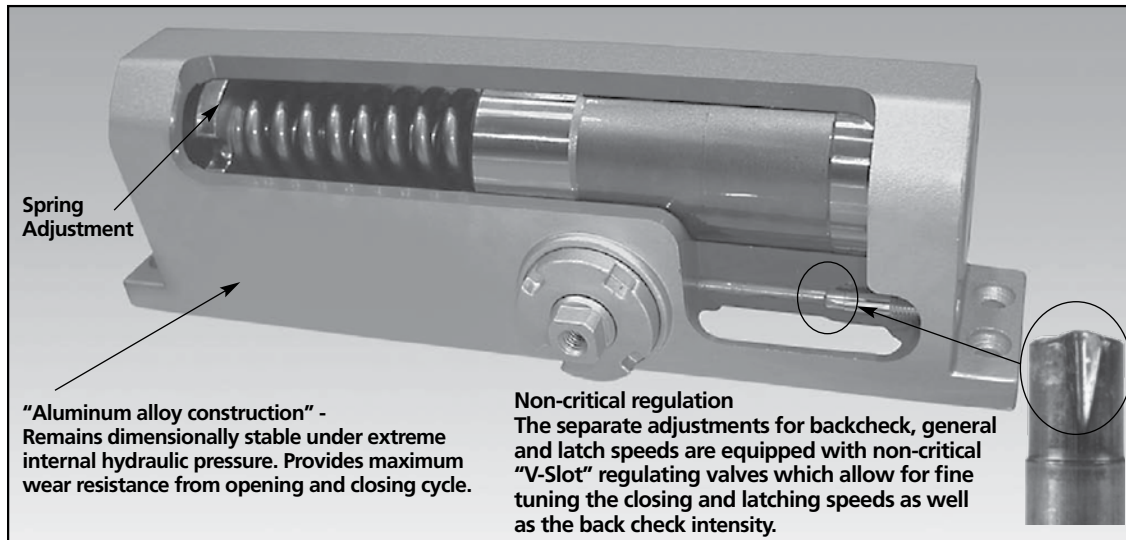


Standard Position

Arm Options Suffix Description	
L	Long Rod Forearm (Top Jams only)
H	Standard Hold Open
PH	Parallel Hold Open



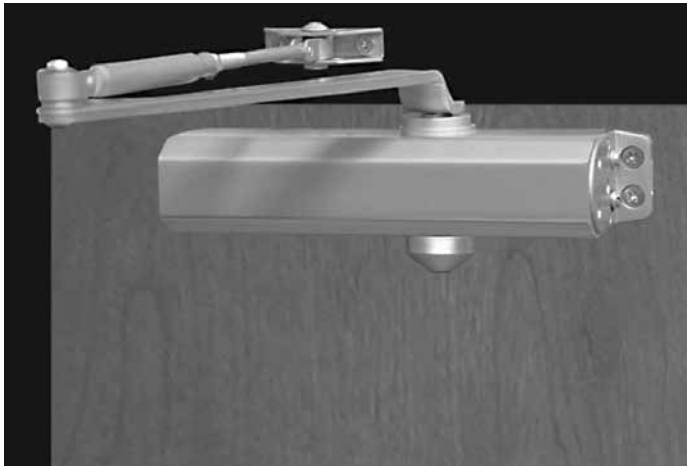
General Information



How To Order

D-161	0	PH	FC	689	SN
Model. No.	Size	Arm Type	Cover	Finishes	Fasteners
D-161	1- size 1-4 0- size 2-5	L- Long Rod Forearm (TJ only) H - Standard Hold Open PH - Parallel Hold Open	FC- Option Full Cover	689 690 691 693 695 696	SN - Sex Nuts & Bolts Wood & Machine Screws furnished standard SEC - Security Screws

Standard Application



Standard D-1610 Door Closer

D-1610 Series Door Closer Specifications

- Closer mounted on PULL side of door
- Can be templated for either 120° or 180° (when butt, frame and wall conditions permit.)
- Custom installation template may be available for unusual installation conditions. Contact dormakaba for assistance.

Maximum Door Opening

120° Opening

A = 12-3/8" (314 mm)

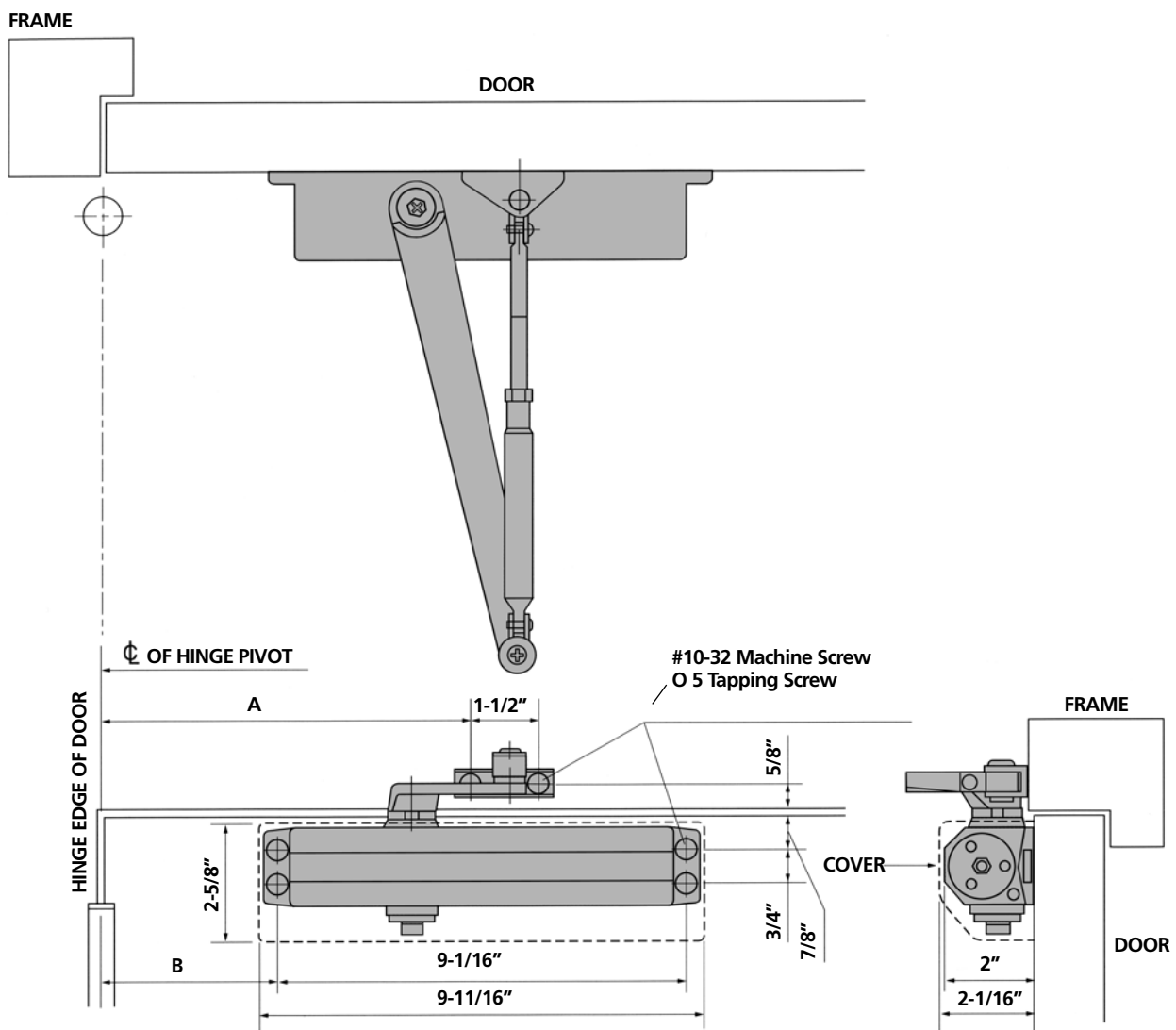
B = 6-3/4" (172 mm)

180° Opening

A = 9-1/2" (241 mm)

B = 3-1/2" (89 mm)

Hold-open points up to maximum door opening with hold open arm.



Parallel Application

D-1610 Series Door Closer Specifications

- Closer mounted on PUSH side of door
- Can be templated for either 120° or 180° (when butt, frame and wall conditions permit.)
- Custom installation template may be available for unusual installation conditions. Contact dormakaba for assistance.

Maximum Door Opening

120° Opening

A = 7-3/4" (197 mm)

B = 6-1/8" (156 mm)

180° Opening

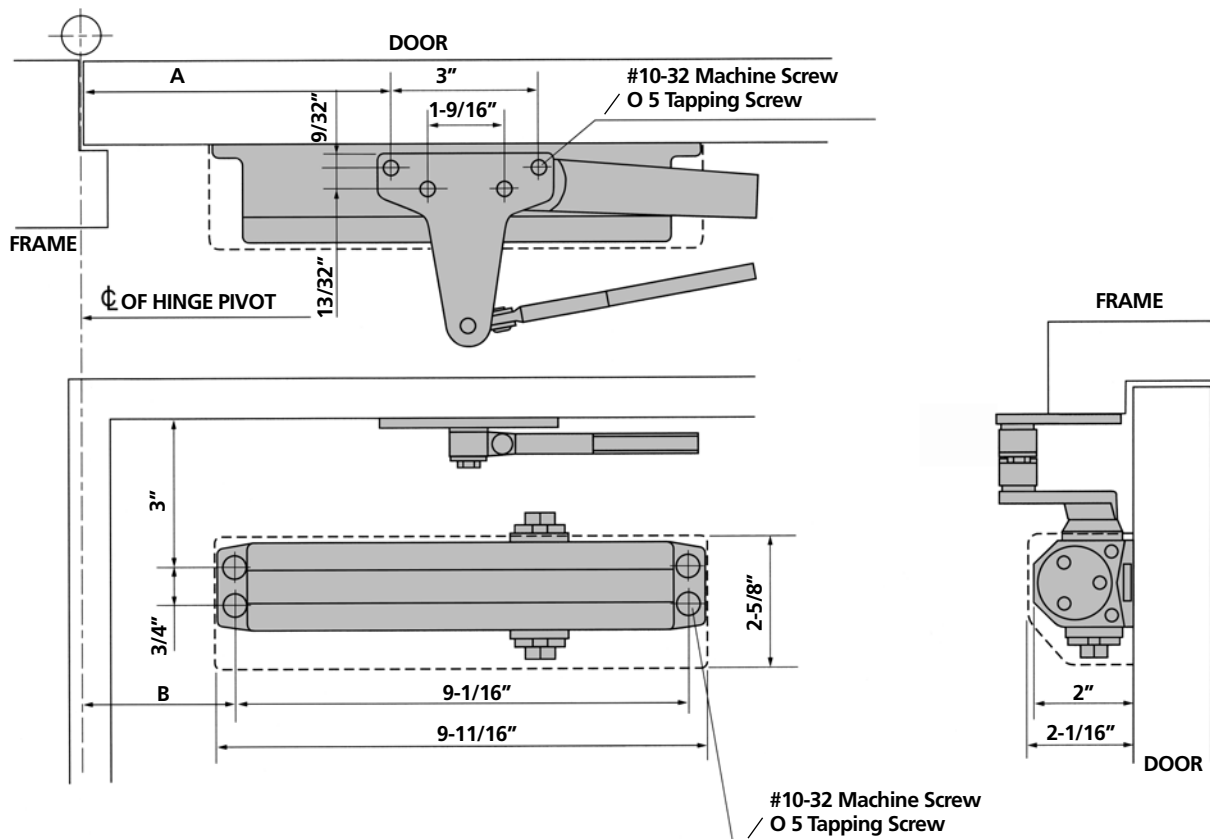
A = 5-3/4" (146 mm)

B = 4-1/8" (105 mm)

Hold-open points up to maximum door opening with hold open arm.



Parallel D-1610 Door Closer



Top Jamb Application

D-1610 Series Door Closer Specifications

- Closer mounted on PUSH
- Can be templated for either 120° or 180° (when butt, frame and wall conditions permit)
- Standard reveals up to 3-15/32" (88 mm)
- For deeper reveals use long rod and shoe A16-401L (See page 7)
- Custom installation template may be available for unusual installation conditions. Contact dormakaba for assistance.

Maximum Door Opening

120° Opening

A = 6-3/4" (172 mm)

B = 12-3/8" (314 mm)

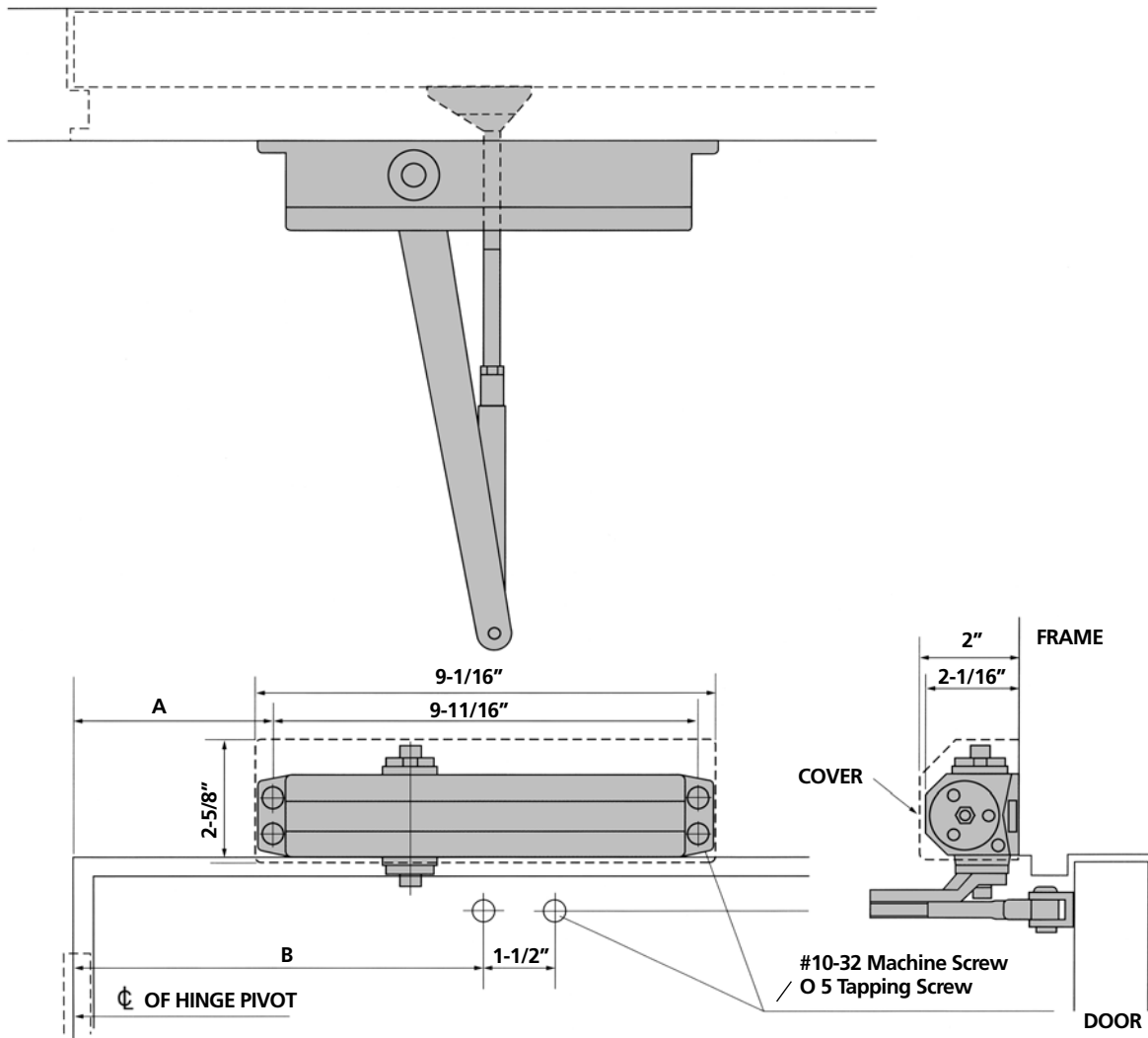
180° Opening

A = 3-1/2" (89 mm)

B = 9-1/2" (241 mm)



Top Jamb D-1610 Door Closer



Installation Tips

Power Adjustment Chart

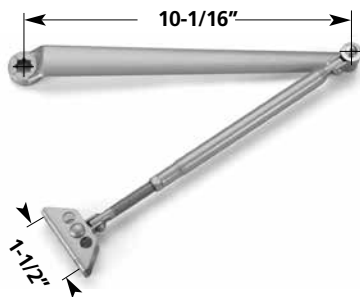
Closer Size	Max. Door Width		Turns of Spring Adjusting Screw							
	Exterior	Interior	D-1610				D-1611			
			From preset		From minimum		From preset		From minimum	
			Maximum Door Opening							
120°	180°	120°	180°	120°	180°	120°	180°			
1	—	—	—	—	—	—	—	3	—	3
2	Less than 2'-6" (762mm)	3'-2" (965mm)	—	.1	—	0	—	0	—	6
3	2'-6" (762mm)	2'-8" (815mm)	0	4	1	5	2	7	8	13
4	3'-0" (914mm)	3'-8" (1118mm)	6	13	7	14	10	—	16	—
5	3'-6" (1067mm)	4'-0" (1219mm)	14	—	15	—	14	—	20	—
5	3'-6" (1067mm)	4'-0" (1219mm)	19	—	20	—	—	—	—	—

D-1610 Factory preset is 2
D-1611 Factory preset is 1

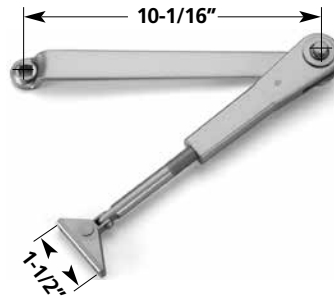
Set closer for 5ft-lbs for ADA compliance using Door Force Gauge: see section 4.13.10 of the ADA Standards for Accessible Design. Application conditions may vary. Properly adjust spring and/or hydraulics to suit application requirements.

Accessories

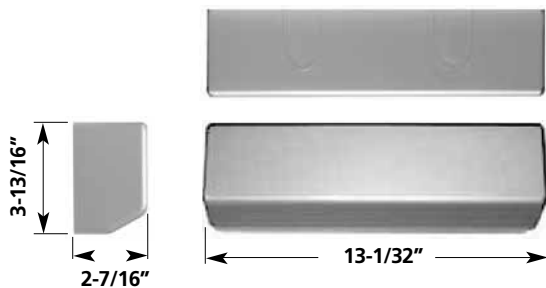
Standard Arm Set A16-401



Standard Arm Set A16-401



Full Cover (Optional) C-165 Plastic



Standard Arm with Long Rod and Shoe Set A16-401L used on Reveals 3-1/2" – 8"



STANLEY®

6161 East 75th Street
Indianapolis, IN 46250 USA

Phone 855-365-2407

stanleyhardwarefordoors.com

SDC007 Rev 04/17/2018
© 2018 dormakaba Holding. All rights reserved.

© 2018 Stanley Black & Decker, Inc. STANLEY® and the STANLEY® Notched Rectangle logo are registered trademarks of Stanley Black & Decker Inc. or one of its affiliates, and are used under license

dormakaba 

dormakaba.com