

STANLEY®



CONTINUOUS HINGES: ALUMINUM CONTINUOUS GEARED HINGES

Continuous Hinges

Aluminum Continuous Geared Hinges

dormakaba 

Trusted experts. Proven reliability. Simply STANLEY.

TABLE OF CONTENTS

660 series continuous hinge design	2	Half surface	7
General information and options	3-4	Full surface	8
Sizing doors and frames	5	Full surface swing clear	9
Full mortise	6	EDP numbers and extras	10

660 Series Continuous Hinges

Installs in minutes – Lasts a lifetime

Stanley 660 Series Continuous Hinge design is as tough and practical as it is attractive. Made of 6065 T5 aluminum, it is designed and built to last for the life of the building. Uniquely shaped “form follows function” bearing channel is pleasing to the eye and applauded by architects. The standard duty hinge has 16 bearings for a typical 7' door compared to 32 bearings on a heavy duty design for the same door height. Lubricated with polytetrafluoroethylene for maximum durability. Utilizing computer aided finite element analysis, is precision engineered with a minimum number of fasteners, thus reducing installation time without sacrificing performance. Innovative anti spinning through-bolts on half surface and full surface models reduce labor cost. All models conform to ANSI/BHMA A156-26-1996, Grade 1 Standard. Product right out of the box has a 90 minute fire rating. Hinges for 3 hour fire doors use heat activated fire pins (FP). All have been tested and certified by UL to UL10C Standard. Available in anodized clear (AL), BHMA 628 and dark bronze (DB), BHMA 710 finishes.

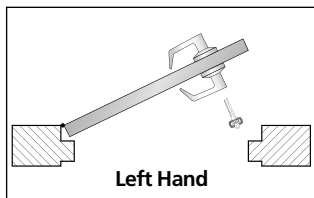


Aluminum Continuous Geared Hinges

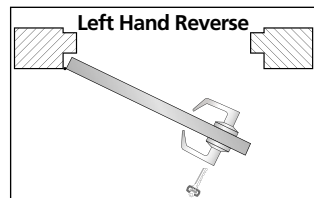
General Information and Options

How to Determine Hand of Hinge

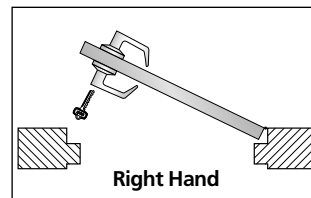
- The hand of a hinge is determined from the outside of the door to which it is applied
- The outside of a cupboard, bookcase or closet door is the room side. For other doors, the outside is usually the side from which security is necessary.



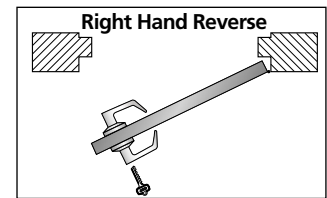
Left Hand
Left hand door takes left hand hinges



Left Hand Reverse
Left hand reverse door takes right hand hinges



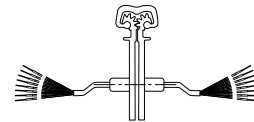
Right Hand
Right hand door takes right hand hinges



Right Hand Reverse
Right hand reverse door takes left hand hinges

CE – (Concealed Electric)

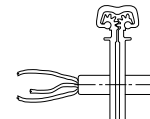
Conducts current regardless of door position to electric locks, exit devices, hold open devices, etc. Specify hand available option with models: 660, 661HD, 662, and 662HD



Electrical Ratings		
Suffix	# Wires	Volts (AC or DC)
		6, 12, 24
		Current
-54	4	1 AMP/Wire
-58	8	0.5 AMP/Wire

CS – (Concealed Switch)

Allows for opening monitoring. Used to actuate alarms, or other security equipment. Specify hand. Available on models: 661, 661HD, 662, and 662HD.



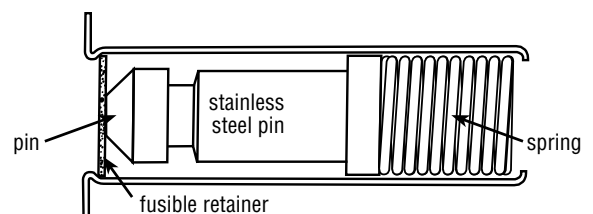
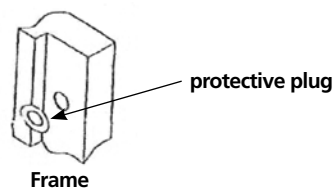
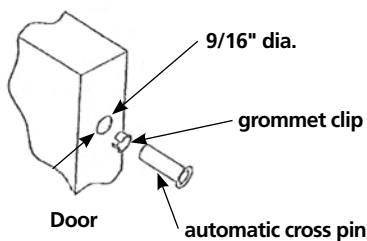
EPT – (Electric Power Transfer)

Hinge-leaves are modified to accept an EPT device. Specify hand, location, manufacturer and model of EPT.



FP – (Fire Pin)

Hinges for 3 hour fire doors use thermally activated stainless steel, automatic fire pin.

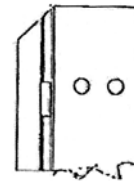


UG599, EDP# 16-0022 are also available for purchase separately

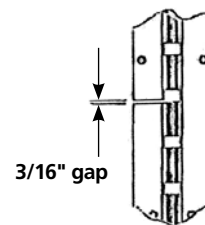
Architectural Steel And Stainless Steel Barrel Type Continuous Hinges

General Information and Options

HT – (Hospital Tip) Barrel end on hinge top is sloped making cleaning easier and making it difficult to attach ropes, clothing apparel, and other items, thus reducing the risk of harm. Specify hand.



Dutch Door Prep – Frame leaf is continuous and door leaf is two piece. Specify cut portion from bottom of hinge, space between leafs, and hand.



Aluminum Replacement Covers – For half and full surface hinges

10' Section – AL 47-7922

10' Section – DB 47-7923



School Option – Anti vandal plug prohibits insertion of destructive objects into the gears of the hinge.



Fasteners – Screw Packs

661 662 Series Hardware Pack AL 73211285

661 662 Series Hardware Pack DB 73211284

663 Series Hardware Pack AL 73211290

663 Series Hardware Pack DB 73211288

664 665 Series Hardware Pack AL 73211287

664 665 Series Hardware Pack DB 73211286

Sizing Doors and Frames for Standard and Heavy Duty Aluminum Geared Type Continuous Hinges*

Sizing of doors width for models: 661HD, 662HD

Single Doors			
Square edge door		1/8" in 2" beveled edge door	
Hinge allowance	5/16" (8mm)	Hinge allowance	5/16" (8mm)
Allowance for frame irregularities	1/32" (0.8mm)	Allowance for beveled edge door	1/32" (0.8mm)
Typical lockside clearance	1/8" (3.2mm)	Allowance for frame irregularities	1/32" (0.8mm)
		Typical lockside clearance	1/8" (3.2mm)
Total	15/32" (12.0mm)	Total	1/2" (12.8mm)

Pairs of Doors			
Square edge door		1/8" in 2" beveled edge door	
Allowance for 2 hinges	5/8" (15.9mm)	Allowance for 2 hinges	5/8" (15.9mm)
Allowance for frame irregularities (x2 frames)	1/16" (1.6mm)	Allowance for beveled edge door (x2)	1/16" (1.6mm)
Typical clearance between doors	3/16" (4.8mm)	Allowance for frame irregularities (2 frames)	1/16" (1.6mm)
		Typical clearance between doors	3/16" (4.8mm)
Total	7/8" (22.3mm)	Total	15/16" (23.9mm)

Sizing of doors width for models: 663, 663HD

Single Doors		Pairs of Doors	
Square or beveled edge		Square or beveled edge	
Hinge allowance	1/8" (3.2mm)	Allowance for 2 hinges	1/4" (6.4mm)
Allowance for frame irregularities	1/32" (0.8mm)	Allowance for frame irregularities (2 frames)	1/16" (1.6mm)
Typical lockside clearance	1/8" (3.2mm)	Typical clearance between doors	3/16" (4.8mm)
Total	9/32" (7.2mm)	Total	1/2" (12.8mm)

Sizing of doors width for models: 664HD, 665HD

Single Doors		Pairs of Doors	
Allowance for frame irregularities	1/32" (0.8mm) min.	Allowance for frame irregularities (2 frames)	1/16" (1.6mm) min.
Typical lockside clearance	1/8" (3.2mm)	Typical clearance between doors	3/16" (4.8mm)
Total	5/32" (4.8mm) min.	Total	1/4" (6.4mm) min.



*Please be advised that the suggested clearance outlined here are for typical applications. Individual applications may differ.

Please also note that:

- Beveled edge doors are measured on the high side.
- Recommended head clearance for all models is 1/8".

Aluminum Continuous Geared Hinges

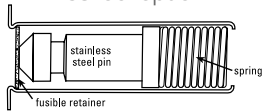
Full Mortise

661 HD – Heavy Duty for flush door and frame applications

662 HD – Heavy Duty for 3/32" inset doors



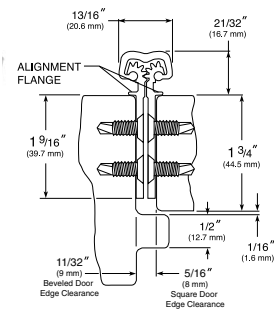
- Distributes door weight and stress along the full length of door and frame
- No misaligned pivot points of individual hinges
- Typically no additional reinforcement required
- Clear aluminum and dark bronze anodized finishes
- Standard duty and heavy duty conform to ANSI/BHMA Standard A156.26-1996, Grade 1
- Supports doors up to 450 lbs
- Hinge covered by a limited lifetime warranty for the life of the building
- Engineered with polymer PTFE bearing for maximum durability
- 90-minute rating standard on all hinges. 3-hour rating available with fire pins (FP)
- For 1-3/4" doors only
- Hinges can be furnished as follows:
 - with hospital tips (HT)
 - with electric wires (CE)
 - with electric switches (CS)
 - with electric power transfer (EPT) prep – Specify manufacturer and model number of transfer
 - with dutch door prep
 - custom length
 - school option



Fire Pin



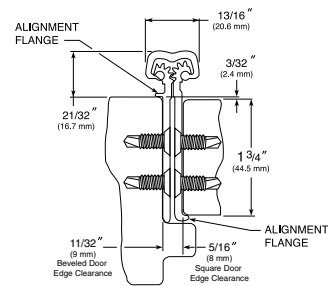
661 HD



**661/661HD Full Mortise
Flush Door & Frame**



662 HD



**662/662HD Full Mortise
3/32" Inset**

Length		Finish	Number of #12-24 x 5/8" TEK Screws Per Hinge	Quantity Per Carton	Carton Weight	
Inches	(mm)				Lbs.	(Kg)
79	(2006)	AL & DB	36	1	7	(15.4)
83	(2108)	AL & DB	36	1	7	(15.4)
95	(2413)	AL & DB	40	1	8	(17.6)
120	(3022)	AL & DB	44	1	10	(22)

Wood and Machine screws available separately

Aluminum Continuous Geared Hinges

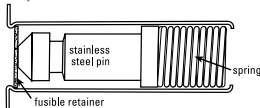
Half Surface

663 HD – Heavy Duty



- Distributes door weight and stress along the full length of door and frame
- Ideal for retrofit applications
- No misaligned pivot points of individual hinges
- Clear aluminum and dark bronze anodized finishes
- Standard duty and heavy duty conform to ANSI/BHMA Standard A156.26-1996, Grade 1
- Supports doors up to 450 lbs
- Hinge covered by a limited lifetime warranty for the life of the building
- Engineered with polymer PTFE bearing for maximum durability
- Anti-spinning through-bolts reduce installation labor costs
- Universal cover plates for all configurations
- 90-minute rating standard on all hinges. 3-hour rating available with fire pins (FP)
- For 1-3/4" doors only
- Hinges can be furnished as follows:
 - with hospital tips (HT)
 - with dutch door prep
 - custom length
 - school option

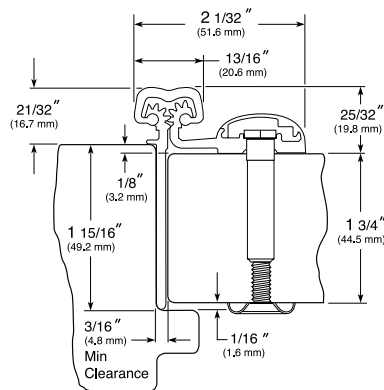
Replacement covers available separately



Fire Pin



663 HD



Length	Finish	Number of #12-24 x 5/8" TEK Screws Per Hinge	Number of #12-24 x 1 1/2" Through-Bolts and #12-24 x 1 1/8" Machine Screws Per Hinge	Quantity Per Carton	Carton Weight	
					Inches (mm)	Lbs. (Kg)
79 (2006)	AL & DB	34	10	1	7 (15.4)	
83 (2108)	AL & DB	34	10	1	7 (15.4)	
95 (2413)	AL & DB	38	11	1	8 (17.6)	
120 (3022)	AL & DB	42	12	1	10 (22)	

Wood and Machine screws available separately

Aluminum Continuous Geared Hinges

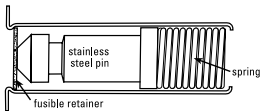
Full Surface

664 HD – Heavy Duty for standard and narrow jamb applications



- Distributes door weight and stress along the full length of door and frame
- Ideal for retrofit applications
- No misaligned pivot points of individual hinges
- Clear aluminum and dark bronze anodized finishes
- Standard duty and heavy duty conform to ANSI/BHMA Standard A156.26-1996, Grade 1
- Supports doors up to 450 lbs
- Hinge covered by a limited lifetime warranty for the life of the building
- Engineered with polymer PTFE bearing for maximum durability
- Anti-spinning through-bolts reduce installation labor costs
- Universal cover plates for all configurations
- 90-minute rating standard on all hinges. 3-hour rating available with fire pins (FP)
- For 1-3/4" doors only
- Hinges can be furnished as follows:
 - with hospital tips (HT)
 - with dutch door prep
 - custom length
 - school option

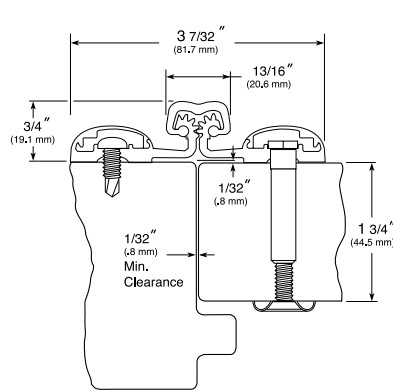
Replacement covers available separately



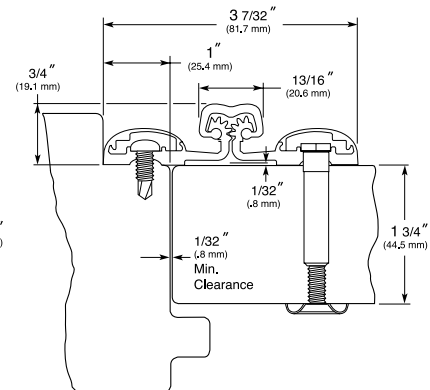
Fire Pin



664 HD



Standard Jam



Narrow Jam

Length	Finish	Number of #12-24 x 5/8" TEK Screws Per Hinge	Number of #12-24 x 1 1/2" Through-Bolts and #12-24 x 1 1/8" Machine Screws Per Hinge	Quantity Per Carton	Carton Weight	
					Inches (mm)	Lbs. (Kg)
79 (2006)	AL & DB	34	10	1	7 (15.4)	
83 (2108)	AL & DB	34	10	1	7 (15.4)	
95 (2413)	AL & DB	38	11	1	8 (17.6)	
120 (3022)	AL & DB	42	12	1	10 (22)	

Wood and Machine screws available separately

Aluminum Continuous Geared Hinges

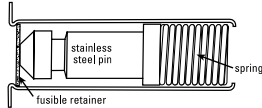
Full Surface Swing Clear

665 HD – Heavy Duty



- Swings door out of opening at approximately 90 degrees
- Distributes door weight and stress along the full length of door and frame
- No misaligned pivot points of individual hinges
- Clear aluminum and dark bronze anodized finishes
- Standard duty and heavy duty conform to ANSI/BHMA Standard A156.26-1996, Grade 1
- Supports doors up to 450 lbs
- Hinge covered by a limited lifetime warranty for the life of the building
- Engineered with polymer PTFE bearing for maximum durability
- Anti-spinning through-bolts reduce installation labor costs
- Universal cover plates for all configuration
- 90-minute rating standard on all hinges. 3-hour rating available with fire pins (FP)
- For 1-3/4" doors only
- Hinges can be furnished as follows:
 - with hospital tips (HT)
 - with dutch door prep
 - custom length
 - school option

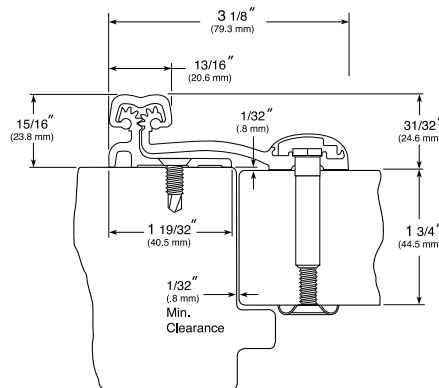
Replacement covers available separately



Fire Pin



665 HD



Length	Finish	Number of #12-24 x 5/8" TEK Screws Per Hinge	Number of #12-24 x 1 1/2" Through-Bolts and #12-24 x 1 1/8" Machine Screws Per Hinge	Quantity Per Carton	Carton Weight	
					Inches (mm)	Lbs. (Kg)
79	AL & DB	34	10	1	7	(15.4)
83	AL & DB	34	10	1	7	(15.4)
95	AL & DB	38	11	1	8	(17.6)
120	AL & DB	42	12	1	10	(22)

Wood and Machine screws available separately

Aluminum Continuous Geared Hinges

EDP Numbers and Extras



Class #	Length	Finish	EDP #
661	79"	AL	47-7767
	79"	DB	47-7768
	83"	AL	47-7769
	83"	DB	47-7770
	95"	AL	47-7771
	95"	DB	47-7772
	120"	AL	47-7773
661 HD	120"	DB	47-7774
	79"	AL	47-7808
	79"	DB	47-7809
	83"	AL	47-7810
	83"	DB	47-7811
	95"	AL	47-7812
	95"	DB	47-7813
662	120"	AL	47-7814
	120"	DB	47-7815

Class #	Length	Finish	EDP #
662	79"	AL	47-7759
	79"	DB	47-7760
	83"	AL	47-7761
	83"	DB	47-7762
	95"	AL	47-7763
	95"	DB	47-7764
	120"	AL	47-7765
662 HD	120"	DB	47-7766
	79"	AL	47-7800
	79"	DB	47-7801
	83"	AL	47-7802
	83"	DB	47-7803
	95"	AL	47-7804
	95"	DB	47-7805
663	120"	AL	47-7806
	120"	DB	47-7807

Class #	Length	Finish	EDP #
663	79"	AL	47-7751
	79"	DB	47-7752
	83"	AL	47-7753
	83"	DB	47-7754
	95"	AL	47-7755
	95"	DB	47-7756
	120"	AL	47-7757
663 HD	120"	DB	47-7758
	79"	AL	47-7792
	79"	DB	47-7793
	83"	AL	47-7794
	83"	DB	47-7795
	95"	AL	47-7796
	95"	DB	47-7797
664	120"	AL	47-7798
	120"	DB	47-7799

Class #	Length	Finish	EDP #
664	79"	AL	47-7775
	79"	DB	47-7776
	83"	AL	47-7777
	83"	DB	47-7778
	95"	AL	47-7779
	95"	DB	47-7780
	120"	AL	47-7781
664 HD	120"	DB	47-7782
	79"	AL	47-7816
	79"	DB	47-7817
	83"	AL	47-7818
	83"	DB	47-7819
	95"	AL	47-7820
	95"	DB	47-7821
665	120"	AL	47-7822
	120"	DB	47-7823

Class #	Length	Finish	EDP #
665	79"	AL	47-7784
	79"	DB	47-7785
	83"	AL	47-7786
	83"	DB	47-7787
	95"	AL	47-7788
	95"	DB	47-7789
	120"	AL	47-7790
665 HD	120"	DB	47-7791
	79"	AL	47-7824
	79"	DB	47-7825
	83"	AL	47-7826
	83"	DB	47-7827
	95"	AL	47-7828
	95"	DB	47-7829
666	120"	AL	47-7830
	120"	DB	47-7831

STANLEY®

6161 East 75th Street
Indianapolis, IN 46250 USA

Phone 855-365-2407

stanleyhardwarefordoors.com

SAH012 Rev2/17/2019
© 2019 dormakaba USA Inc. All rights reserved.

© 2019 Stanley Black & Decker, Inc. STANLEY® and the STANLEY® Notched Rectangle logo are registered trademarks of Stanley Black & Decker Inc. or one of its affiliates, and are used under license

dormakaba 

dormakaba.com