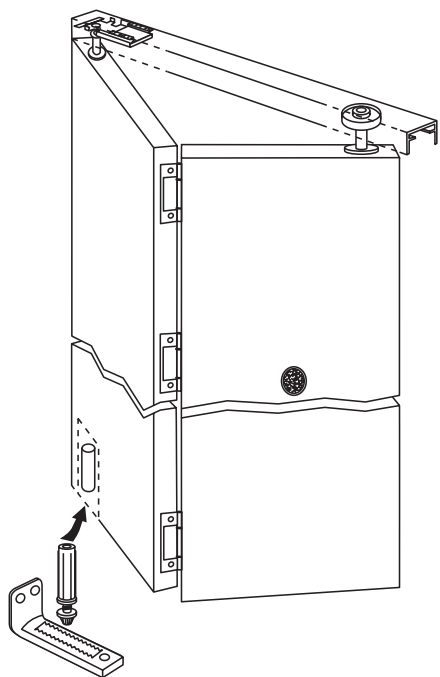
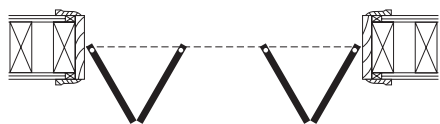
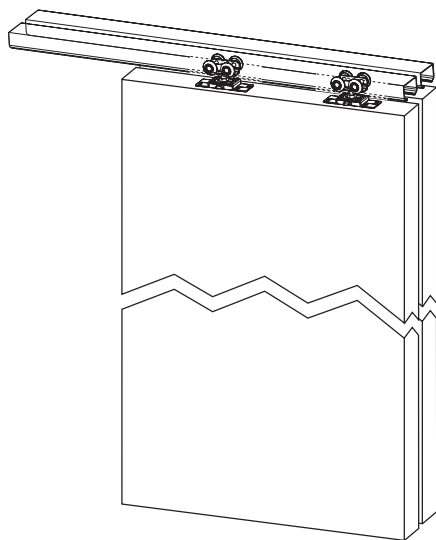


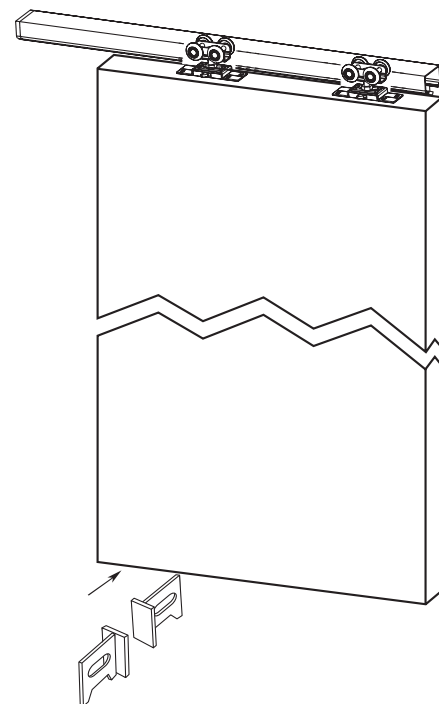
BI-FOLD HARDWARE



BYPASS HARDWARE



POCKET DOOR HARDWARE



Q: What types of sliding and folding door hardware does STANLEY offer?

A: STANLEY offers bi-fold, bypass and pocket door hardware. These types of hardware are used on doors that open and close without the use of door hinges. Bi-fold doors slide open in an accordion style. Bypass doors open by sliding past each other. A pocket door opens by the door recessing into a pocket in the wall.

Q: What is the common application for sliding and folding door hardware?

A: Sliding and folding door hardware is commonly used for closet doors in both residential and commercial applications. Pocket doors are also commonly seen in bathrooms.

Q: What options are available within the bi-fold category?

A: Bi-fold hardware is available in three different grades. The hardware grades are differentiated by the weight of the door that the hardware is going to be installed on. There is a BF30 for 30 lb. doors, a BF50 for 50 lb. doors and a BF125 for 125 lb. doors. In addition, bi-fold hardware is available for both 2 and 4 panel applications.

Q: What options are available within the bypass category?

A: Bypass hardware is available in three different grades. The hardware grades are differentiated by the weight of the door that the hardware is going to be installed on. There is a BP60 for 60 lb. doors, a BP150 for 150 lb. doors and a BP250 for 250 lb. doors.

Q: What options are available within the pocket door category?

A: Pocket door hardware is available in three different grades. The hardware grades are differentiated by the weight of the door that the hardware is going to be installed on. There is a PD75 for 75 lb. doors, a PD150 for 150 lb. doors and a PD250 for 250 lb. doors.

Q: How is sliding and folding door hardware sold?

A: Sliding and folding door hardware is available as packaged sets. Individual parts can be ordered in bulk. In addition, customizable options are available to meet individual customer requests.

Q: What is the lead time for sliding and folding door hardware?

A: The average lead time for stock sliding and folding door hardware is 48 hours from order receipt.

Q: What warranty does sliding and folding door hardware have?

A: Sliding and folding door hardware has a warranty of 1 year from the date of sale.