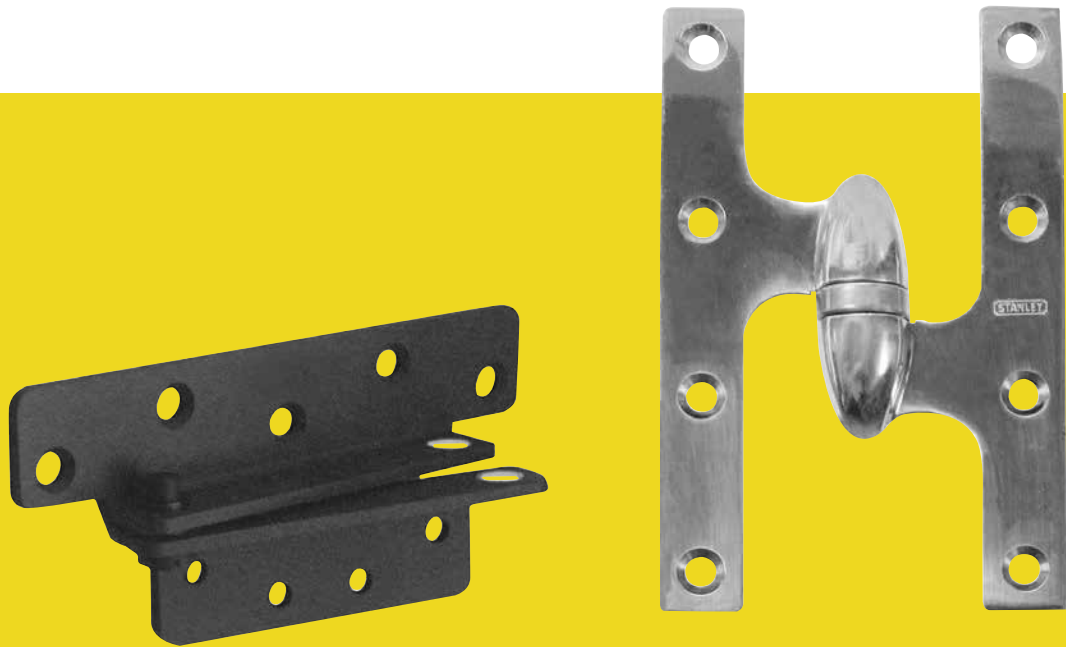


**STANLEY®**



MISCELLANEOUS DOOR HARDWARE

# Miscellaneous Door Hardware

dormakaba 

Trusted experts. Proven reliability. Simply STANLEY.

# TABLE OF CONTENTS

Heavy Weight Two Knuckle  
 Concealed Bearing Hinge .....2  
 Shock Arrestor .....3  
 Decorative Hinges .....3

Heavy Gauge Plain Bearing Full Surface Hinge .....4  
 Floor Hinge Set .....5  
 Notes ..... 6-7

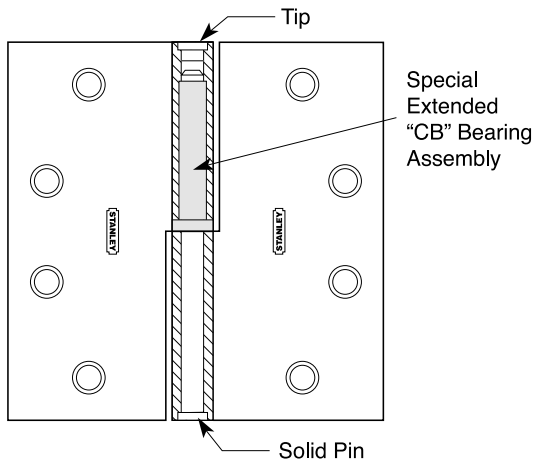
## 2 Knuckle Full Mortise Heavy Weight Concealed Bearing

**CB0701**– (ANSI A8111) – Steel – polished and plated or phosphated and prime coated for painting

**CB0761– (32)** – (ANSI A5111) – Stainless Steel – highly polished

**CB0761– (32D)** – (ANSI A5111) – Stainless Steel – satin finish

- For heavy doors, or doors where high frequency is expected
- Concealed bearing, takes both vertical and lateral loads
- Secure: Door cannot be lifted off when in closed position
- All hinges have template screw holes location for use on either wood or hollow metal doors and frames
- Loose joint – specify hand



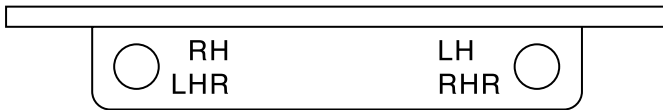
Catalog Number	Finish	EDP Number	Size Open		Gauge of Metal		Number of Flat Head Machine Screws Per Piece	Quantity		Carton Weight		
			Inches	(mm)	Inches	(mm)		Per Box	Per Carton	Lbs.	(Kg)	
CB0701-RH	P	83-4358	4 1/2"	x 4 1/2"	(114 x 114)	.180	(4.6)	8 - 12 - 24 x 1/2	3 ea.	30 ea.	43	(19.5)
CB0701-LH	P	83-4382	4 1/2"	x 4 1/2"	(114 x 114)	.180	(4.6)	8 - 12 - 24 x 1/2	3 ea.	30 ea.	43	(19.5)
CB0761-RH	32	83-4366	4 1/2"	x 4 1/2"	(114 x 114)	.180	(4.6)	8 - 12 - 24 x 1/2	3 ea.	30 ea.	43	(19.5)
CB0761-LH	32	83-4390	4 1/2"	x 4 1/2"	(114 x 114)	.180	(4.6)	8 - 12 - 24 x 1/2	3 ea.	30 ea.	43	(19.5)
CB0761-RH	32D	83-4374	4 1/2"	x 4 1/2"	(114 x 114)	.180	(4.6)	8 - 12 - 24 x 1/2	3 ea.	30 ea.	43	(19.5)
CB0761-LH	32D	83-4408	4 1/2"	x 4 1/2"	(114 x 114)	.180	(4.6)	8 - 12 - 24 x 1/2	3 ea.	30 ea.	43	(19.5)

\* Available in other architectural hardware finishes – consult factory

## Shock Arrestor

**225R** – Steel – phosphated and prime coated for painting or polished and plated

- Protects against loosened screws and bent hinge leaves
- For doors 1 3/4" (44 mm) thick with either standard or heavy weight hinges 4 1/2" (114 mm) wide
- Designed to fit doors inset 1/8" (3.2 mm). For flush applications place a 1/8" (3.2 mm) shim underneath the frame plate.
- Brass pintle and large screws resist maximum shock loads
- Surface applied
- For square or beveled edge doors



FRAME PLATE

Design allows for quick and easy handling in the field



Gauge	Number of 1/4 – 20 x 1" Flat Head Machine Screws Per Set	Number of 1/4 – 20 Molly Jack Nuts Per Set	Number of 1/4 – 20 Hex Nuts Per Set	Quantity		Carton Weight	
				Per Box	Per Carton	Lbs.	(Kg)
.187	9	5	4	1	10	20	(9.1)

## Olive Knuckle Hinges

**BB95** – (ANSI A1612) – Forged brass – polished and finished

- For interior or exterior doors that demand hinges with the smart clean look
- Can be used on hollow metal or wood doors and frames
- Ideal for use in offices, restaurants, recreational building and residences
- Designed in particular for 1 3/8" (35 mm) to 1 3/4" (44 mm) average frequency doors
- Equipped with an anti-friction bearing assembly
- Template hole locations
- Handed – when ordering specify right or left hand
- Edge of hinge closest to the barrel should be 1/4" (6.4 mm) from face of door, regardless of door thickness



Size Open		Gauge of Metal		Width of Leaves		Flat Head Screws / Per Piece		Quantity		Carton Weight
Inches	(mm)	Inches	(mm)	Inches	(mm)	Machine	Wood	Per Box	Per Carton	Lbs. (Kg)
6" x 3 7/8"	(152 x 98)	.203	(5.2)	13/16	(20.6)	8 - 12-24 x 1/2	4 - 12 x 1 1/4	3 ea.	30 ea.	35 (16)

# Heavy Gauge Plain Bearing Full Surface

850 – Steel – Unfinished (PS)

- No hole construction featuring heavy gauge steel and fast spun pins
- Not swaged for full surface weld on applications
- Hinge widths are approximately 1/8" less than nominal sizes shown
- All sizes have five knuckles
- Plain steel
- Bulk packed



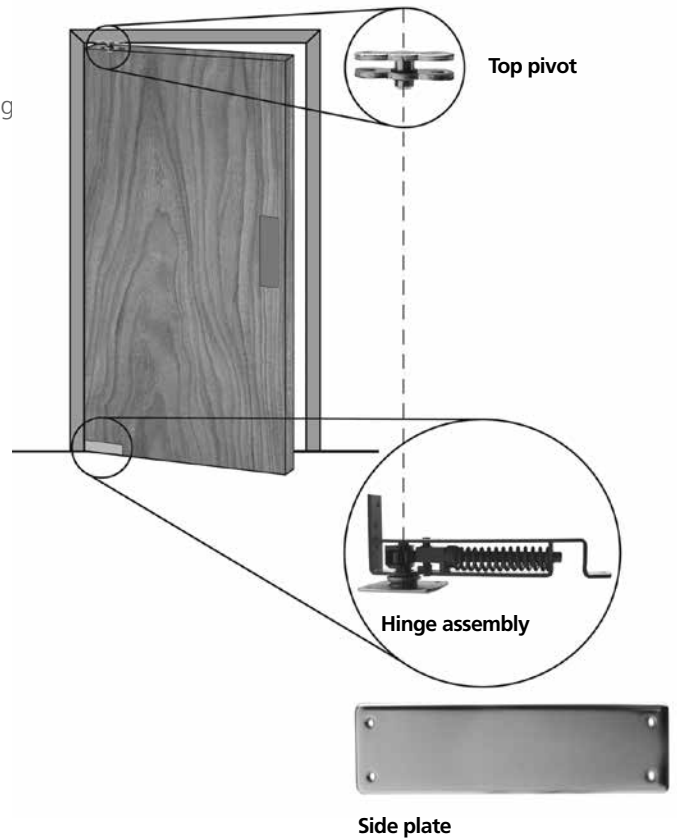
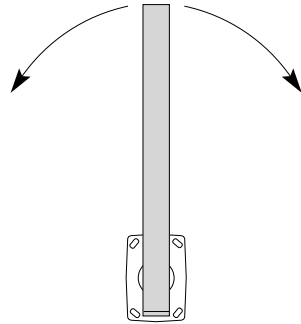
Fast spun pin

Catalog Number	PS/EDP Number	Nominal Size		Gauge of Metal	Pin Diameter	Pieces Per Box	Pieces Per Case	Case Weight	
		Inches	(mm)					Lbs.	(Kg)
850	12 7400	2" x 2"	(51x51)	.099	.204	10	200	33	(15)
850	12 7600	2 1/2" x 2 1/2"	(63x63)	.110	.231	10	200	57	(26)
850	12 7850	3" x 3"	(76x76)	.110	.282	2	40	18	(8.2)
850	12 8100	3 1/2" x 3 1/2"	(89x89)	.120	.273	2	50	30	(13.6)
850	12 8350	4" x 4"	(102x102)	.139	.270	2	40	35	(16)
850	12 8450	4 1/2" x 4 1/2"	(114x114)	.150	.292	2	40	46	(21)
850	12 8550	5" x 5"	(127x127)	.165	.309	2	40	60	(27.2)
850	12 8750	6" x 6"	(152x152)	.187	.328	2	40	48	(22)

## Residential Grade Double Acting Floor Hinge

**BB159** – (ANSI K82183) – Steel – satin brass finish (US4)

- For low frequency residential double acting wood doors 1 3/8" to 1 3/4" thick weighing up to 75 lbs.
- Holds door open at approximately a 90° angle on either side of opening
- Ball bearing located at the top of the hinge carries the weight of door and takes the thrust of spring
- Hardened steel roller, working with the cam, insures easy and noiseless operation
- Spring tension is fully adjustable
- Set consists of top pivot, horizontal floor hinge, decorative plates, fasteners, and installation instructions.



Catalog Number	US4/EDP Number	Sets Per Box	Sets Per Case	Case Weight
				Lbs.
BB159	38 4310	1	10	34



Notes:

---

---

---

---

---

---

---

---

---

---

---

---

---

---

---

---

---

---

---

---

---

---

---

# STANLEY®

6161 East 75th Street  
Indianapolis, IN 46250 USA

Phone 855-365-2407

[stanleyhardwarefordoors.com](http://stanleyhardwarefordoors.com)

SAH016 Rev11/24/2018  
© 2018 dormakaba USA Inc. All rights reserved.

© 2018 Stanley Black & Decker, Inc. STANLEY® and the STANLEY® Notched Rectangle logo are registered trademarks of Stanley Black & Decker Inc. or one of its affiliates, and are used under license

dormakaba 

[dormakaba.com](http://dormakaba.com)